

Released for
Reference Only
JAN. 18 2007

THIS DOCUMENT AND ITS CONTENTS ARE THE EXCLUSIVE PROPERTY OF YOUNG & ASSOCIATES, INC. AND MUST NOT BE COPIED, REPRODUCED, TRANSMITTED, OR COMMUNICATED WITHOUT PRIOR WRITTEN APPROVAL OF YOUNG & ASSOCIATES, INC. THESE PLANS ARE NOT MADE FOR CONSTRUCTION OR INSTALLATION UNLESS, FOR THE PURPOSE HAS BEEN EXPRESSLY APPROVED BY YOUNG & ASSOCIATES, INC.

Young & Associates, Inc.
Design, Build, & Service
KENNESHAW VI 53144
CB26257-6394

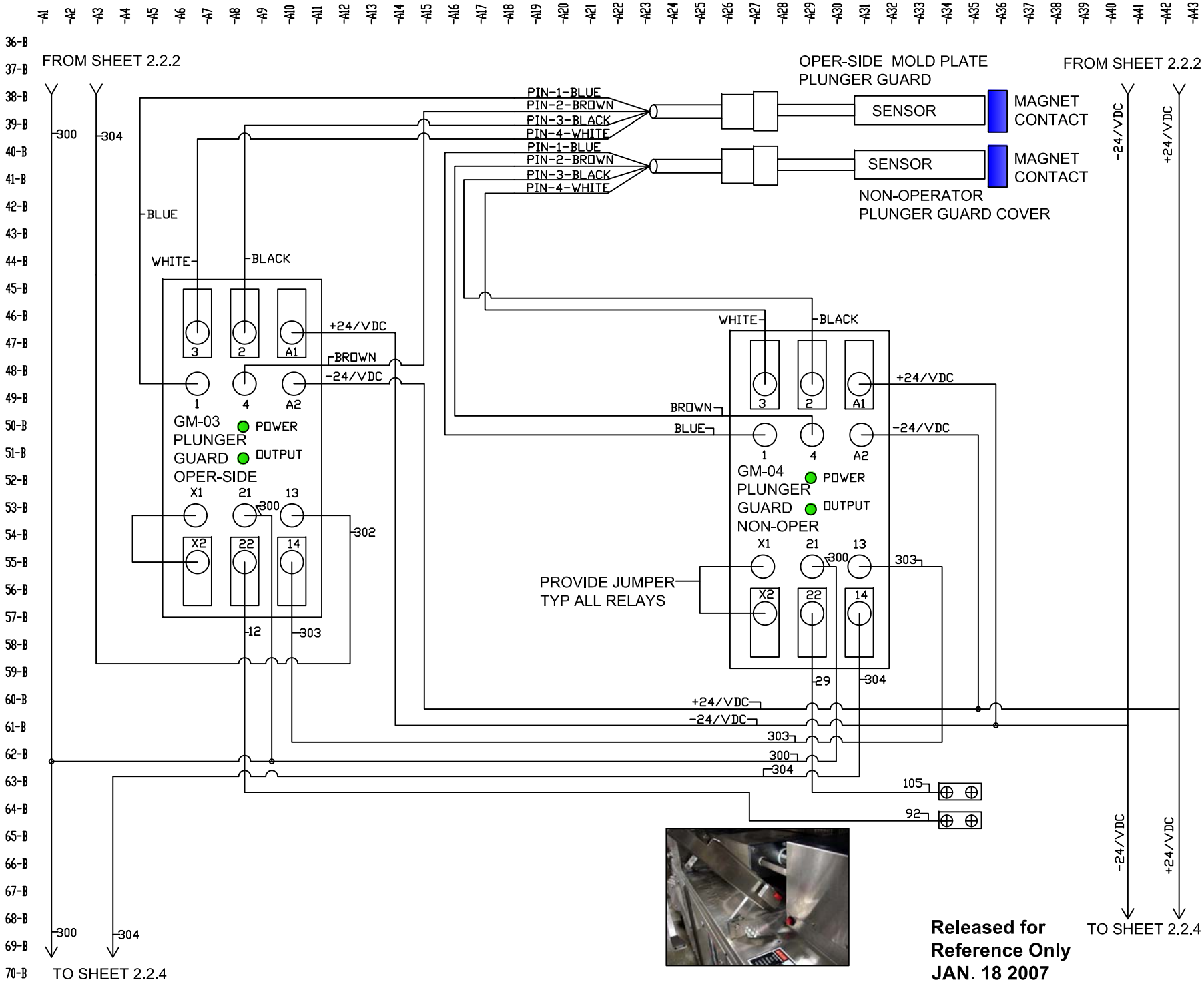
NO.	DESCRIPTION	DATE
6		
5		
4		
3		
2		
1		

REVISIONS	
6	
5	
4	
3	
2	
1	

DATE ISSUED	
PROJECT TITLE	

YAI-F26-6 GUARD MASTER
KNOCK OUT COVER INTERLOCKS

SHEET TITLE	
YAI-F26-6 PLC	
CAD I.D. NO. A2007100	
PROJECT NO.	SHEET NO.
SCALE: DRAWN/W.B.Y. CHECK:	PAGE NO. 2.2.2



Released for
Reference Only
JAN. 18 2007

THIS DOCUMENT AND ITS CONTENTS ARE THE EXCLUSIVE PROPERTY OF YOUNG & ASSOCIATES, INC AND MUST NOT BE COPIED, REPRODUCED, TRANSMITTED, OR COMMUNICATED WITHOUT PRIOR WRITTEN APPROVAL OF YOUNG & ASSOCIATES, INC. THESE PLANS ARE NOT MADE FOR CONSTRUCTION OR INSTALLATION UNLESS, FOR THE PURPOSE HAS BEEN EXPRESSLY APPROVED BY YOUNG & ASSOCIATES, INC.

Young & Associates, Inc.
Design, Build, & Service
9915 38TH PLACE KENNESHA VA 23444
NOTES/KEY PLAN

NO.	DESCRIPTION	DATE
6		
5		
4		
3		
2		
1		

DATE ISSUED

PROJECT TITLE

YAI-F26-6 GUARD MASTER
MOLD PLATE SHUTTLE GUARDS

SHEET TITLE
YAI-F26-6 PLC

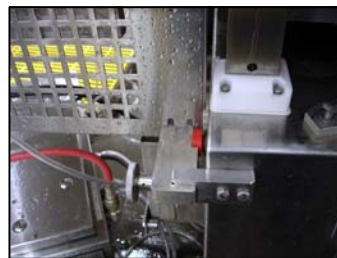
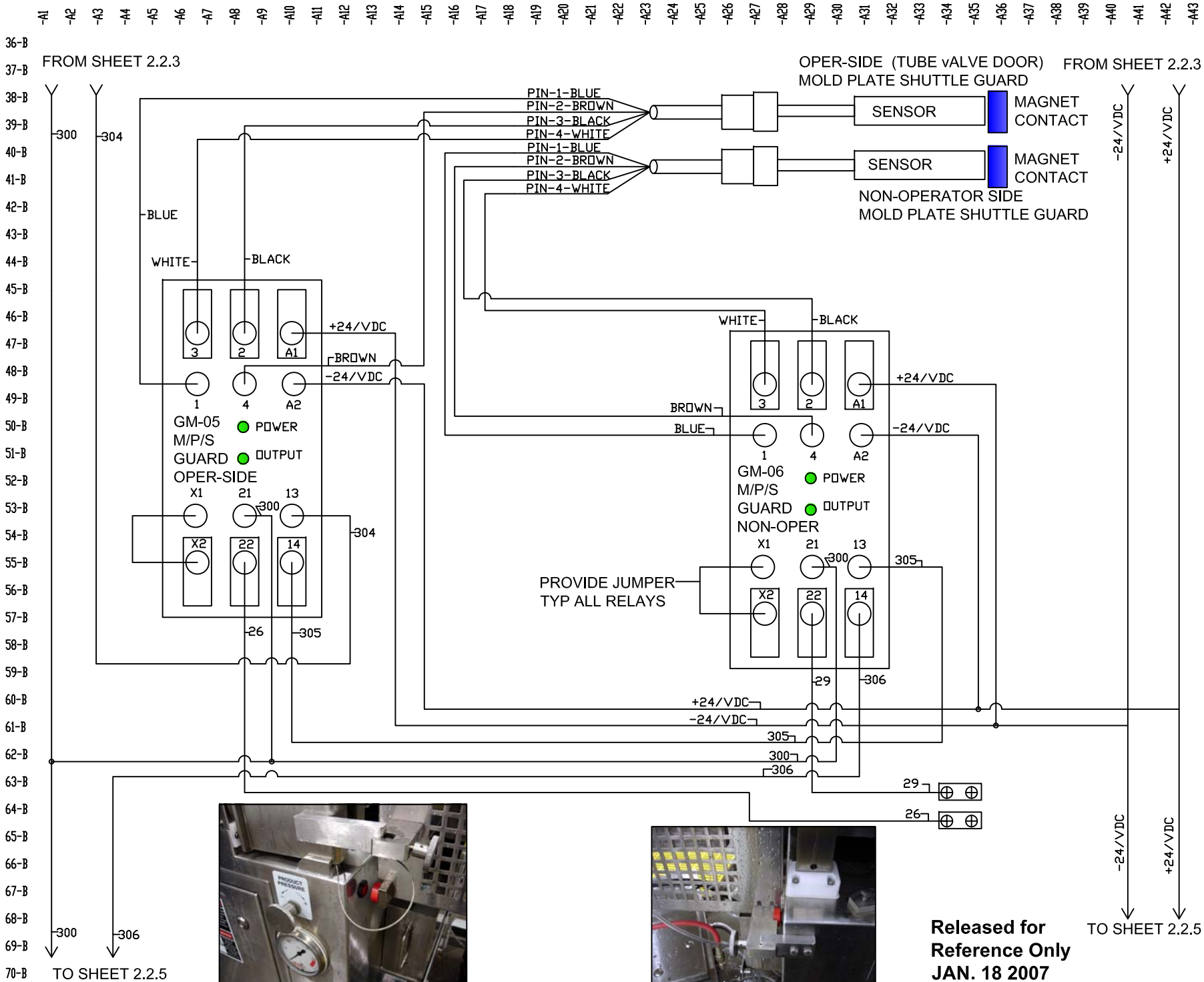
CAD I.D. NO. A2007102-A
PROJECT NO. SHEET NO.
SCALE: DRAWN/W.B.Y. CHECK: 2.2.3
PAGE NO.

TO SHEET 2.2.4

FROM SHEET 2.2.2

FROM SHEET 2.2.2

TO SHEET 2.2.4



Released for
Reference Only
JAN. 18 2007

THIS DOCUMENT AND ITS CONTENTS ARE THE EXCLUSIVE PROPERTY OF YOUNG & ASSOCIATES, INC AND MUST NOT BE COPIED, REPRODUCED, TRANSMITTED, OR COMMUNICATED WITHOUT PRIOR WRITTEN APPROVAL OF YOUNG & ASSOCIATES, INC. THESE PLANS ARE NOT MADE FOR CONSTRUCTION OR INSTALLATION UNLESS FOR THE PURPOSE HAS BEEN EXPRESSLY APPROVED BY YOUNG & ASSOCIATES, INC.

Young & Associates, Inc.
Design, Build, & Service
9915 38TH PLACE KENNESHA WA 98144
NOTES/KEY PLAN

NO.	DESCRIPTION	DATE
6		
5		
4		
3		
2		
1		

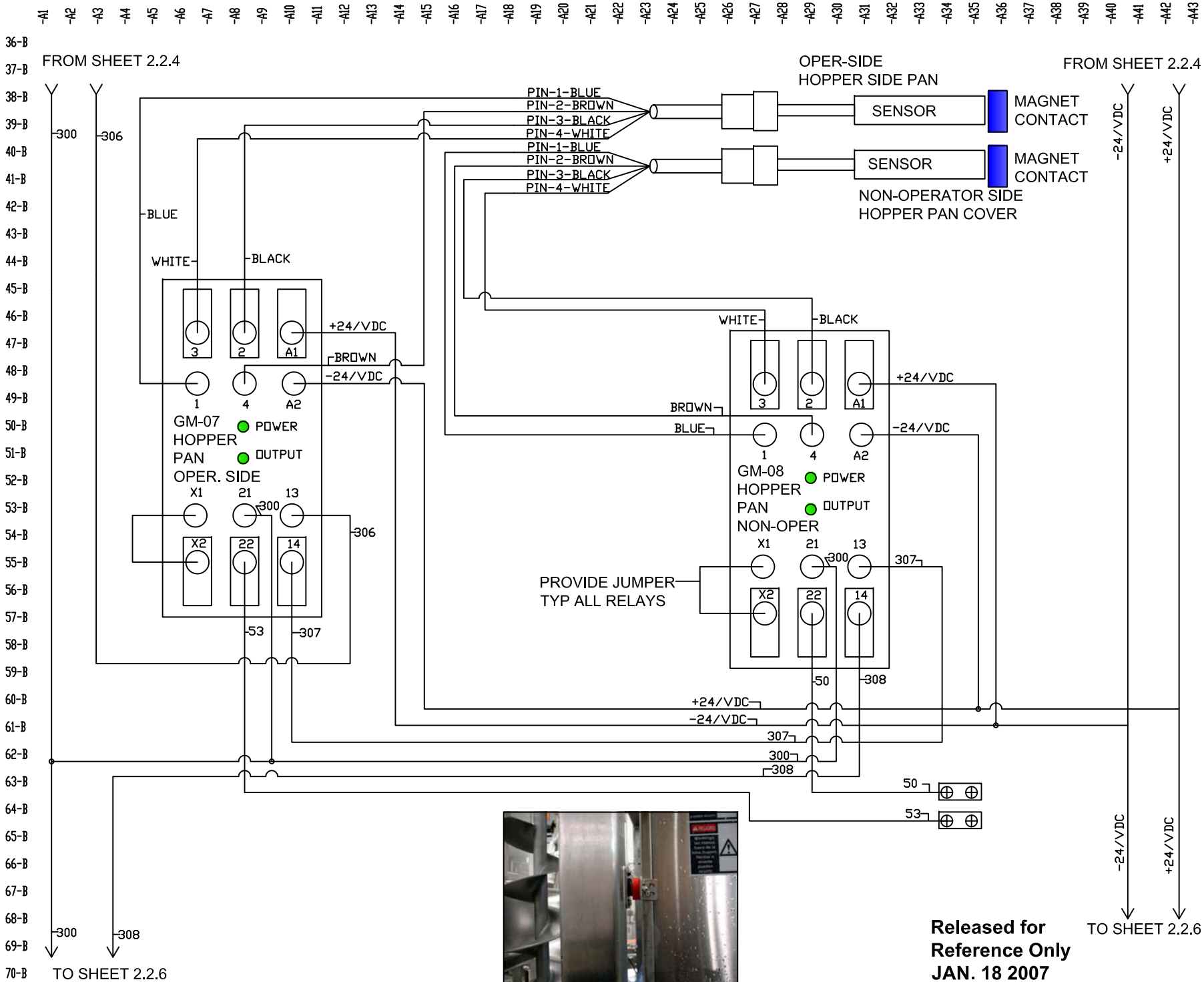
DATE ISSUED

PROJECT TITLE

YAI-F26-6 GUARD MASTER
MOLD PLATE SHUTTLE GUARDS

SHEET TITLE
YAI-F26-6 PLC

CAD I.D. NO. A2007102
PROJECT NO. SHEET NO.
SCALE: DRAWN/W.B.Y. CHECK: 2.2.4
PAGE NO.



Released for
Reference Only
JAN. 18 2007

THIS DOCUMENT AND ITS CONTENTS ARE THE EXCLUSIVE PROPERTY OF YOUNG & ASSOCIATES, INC. AND MUST NOT BE COPIED, REPRODUCED, TRANSMITTED, OR COMMUNICATED WITHOUT PRIOR WRITTEN APPROVAL OF YOUNG & ASSOCIATES, INC. THESE PLANS ARE NOT MADE FOR CONSTRUCTION OR INSTALLATION UNLESS FOR THE PURPOSE HAS BEEN EXPRESSLY APPROVED BY YOUNG & ASSOCIATES, INC.

Young & Associates, Inc.
Design, Build, & Service
8915 38TH PLACE KENNESHA, VA 23144
NOTES/KEY PLAN

NO.	DESCRIPTION	DATE
6		
5		
4		
3		
2		
1		

REVISIONS	
6	
5	
4	
3	
2	
1	

DATE ISSUED	
PROJECT TITLE	YAI-F26-6 GUARD MASTER HOPPER SIDE PAN GUARDS
SHEET TITLE	YAI-F26-6 PLC
CAD I.D. NO.	A2007103
PROJECT NO.	
SHEET NO.	2.2.5
SCALE:	
DRAWN/W.B.Y.	
CHECK:	
PAGE NO.	

